

# PFD 8543 Monitor mount dynamic

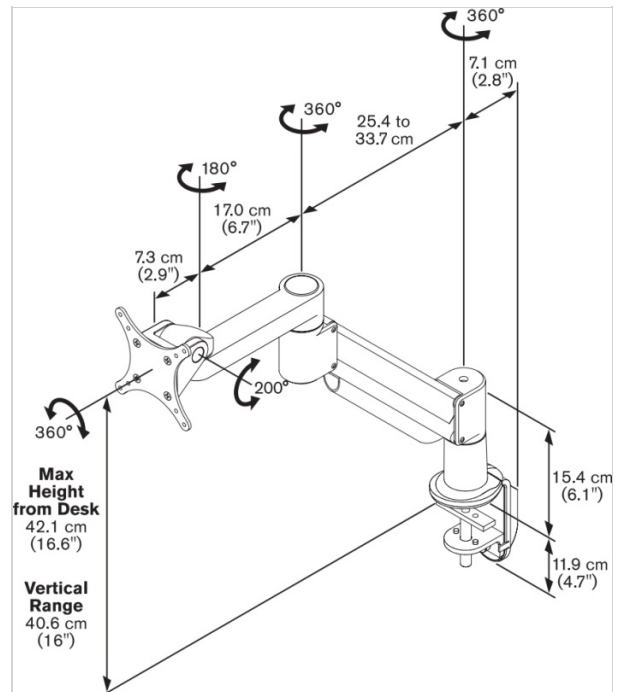
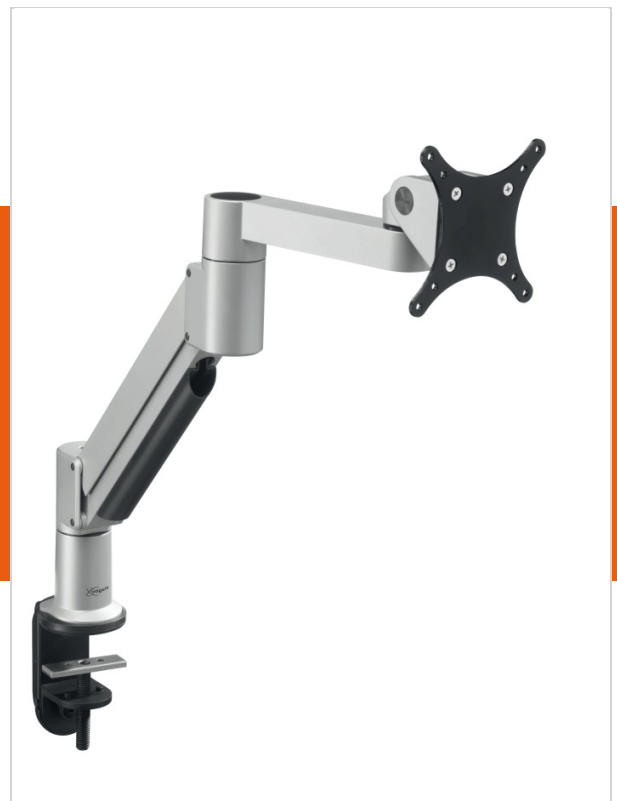
Article number (SKU) 7185434  
 Colour Silver

## Key benefits

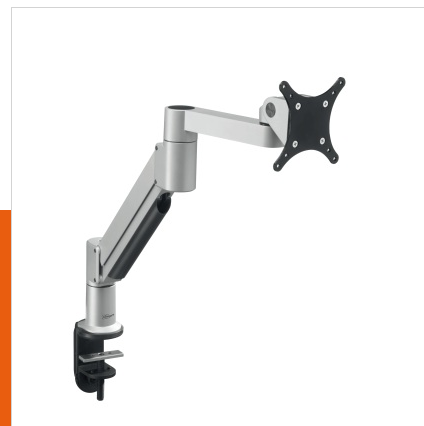
- Gas spring supported arm
- Ergonomic
- Stylish design
- Easy to install

This Vogel's desk mount is designed for intensive professional use. Features like adjustable bearings, three point cable management and the special Flexmount™ provide outstanding performance and longlasting quality. The stylish design fits any décor or type of desk.

For areas where a lot of different people work with a monitor, like reception desks or flex workstations, our floating model is the perfect solution. The adjustable gas spring makes the monitor weightless, so you can easily pull your monitor up and down to the right height. The PFD 8543 model is designed to support monitors in the weight class 5.6 - 11 kg (12.3 - 24.2 lbs). The Flexmount lets you install the desk mount in 6 different ways. So you can be sure that the Vogel's desk mount will fit just about every desk set-up without having to buy additional accessories. The maximum thickness for a desk on which a flexmount can be mounted is 83mm.



# PFD 8543 Monitor mount dynamic



VOGEL'S HOLDING BV 2017 (c) All rights reserved  
Subject to printing errors, technical and price  
amendments  
Date: 01-11-2017

[www.vogels.com](http://www.vogels.com)

## Specifications

### Product specifications

Product type number	PFD 8543
Article number (SKU)	7185434
Colour	Silver
EAN single box	8712285318429
Tilt	Tilt up to 200°
Turn	Up to 360°
Guarantee	10 years
Min. screen size (inch)	10
Max. screen size (inch)	29
Min. weight load (kg)	5.6
Max. weight load (kg)	11
Min. hole pattern	75mm x 75mm
Max. hole pattern	100mm x 100mm
Standard fixed VESA patterns	75 mm x 75 mm 100 mm x 100 mm
Max. bolt size	M4
Max. height of interface (mm)	115
Max. width of interface (mm)	115

### Features

Number of arms	1
Number of pivot points	3
Professional features	Gas spring

